

### Description

Plastic ball valve with T bore ball (L-bore on request) for water and harmless fluids to which the material is resistant.

### Product features

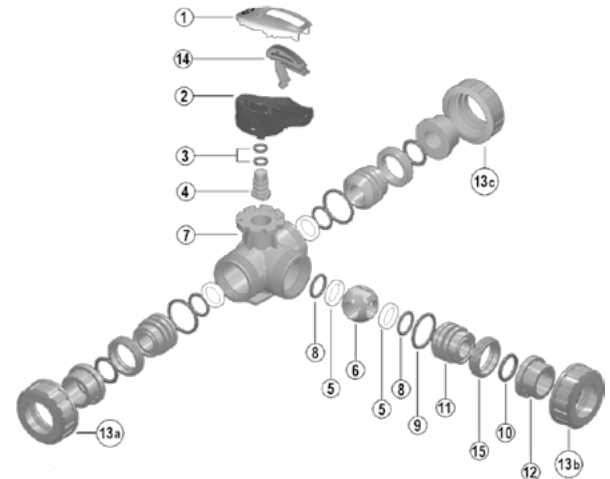
TKIV	PVC	O-Rings EPDM or Viton® (FPM)	for solvent welding
TKIC	PVC-C		for socket fusion
TKIM	PP		
TKIF	PVDF	O-rings Viton® (FPM)	

- **Max. working pressure** PVC, PVC-C, PVDF 16 bar, PP 10 bar
- Easy removal of the valve body from the system, allowing quick replacement of O-rings and ball seats without additional equipment.
- In the closed position the pipeline can be disconnected downstream from the valve without leakage.
- Patented Seat Stop® system. Axial pipe loads blocked with micro-adjustment of ball seal.

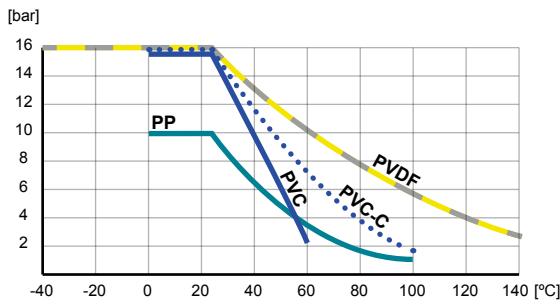


### Construction

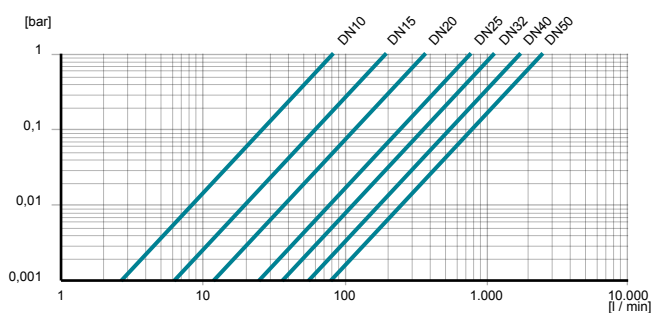
1	Insert	PVC
2	Handle	PVC
3	Stem O-ring	EPDM or FPM
4	Stem	PVC, PVC-C, PP, PVDF
5	Ball seat	PTFE
6	Ball	PVC, PVC-C, PP, PVDF
7	Body	PVC, PVC-C, PP, PVDF
8	O-ring	EPDM or FPM
9	O-ring	EPDM or FPM
10	O-ring	EPDM or FPM
11	Support for ball seat	PVC, PVC-C, PP, PVDF
12	End connector	PVC, PVC-C, PP, PVDF
13	Union nut	PVC, PVC-C, PP, PVDF
14	Blocking button	POM
15	Stop ring	PVC, PVC-C, PP, PVDF



### Pressure- / temperature diagram:

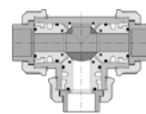


### Pressure loss diagram:

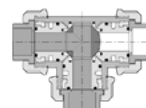


### kv values:

DN / d	kv [l/min]
10 / 16	79
15 / 20	195
20 / 25	380
25 / 32	760
32 / 40	1.050
40 / 50	1.700
50 / 63	3.200



kv values and pressure loss diagram are valid for straight flow.

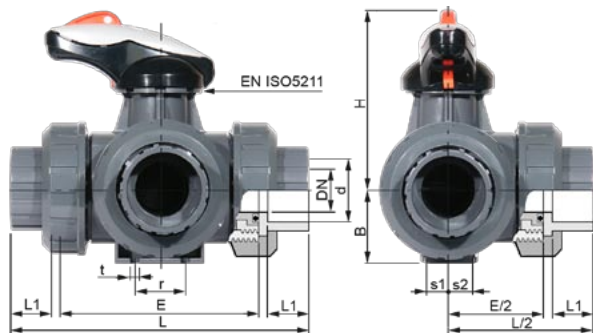


For 90° flow calculate 30% of kv value (kv x 0,3).



## Dimensions

### Hand operated



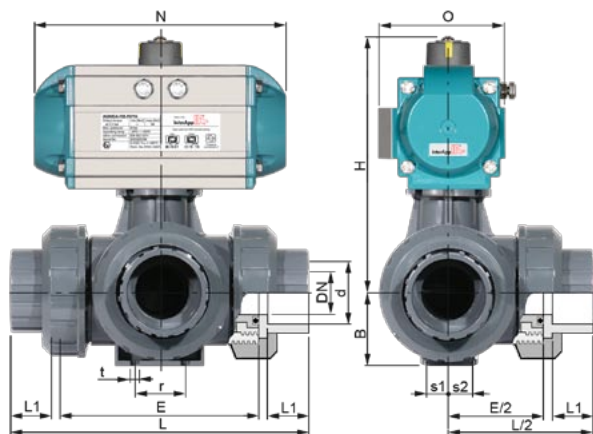
	d	DN	H	TKIV (PVC)		TKIM (PP)		TKIV	TKIC	TKIM	TKIF
				TKIC (PVC-C)	TKIF (PVDF)	(PVC)	(PVC-C)	(PP)	(PVDF)		
TK** 016 03	16	10	49	118	14	117	13	0,350	0,379	-	0,442
TK** 020 03	20	15	49	118	16	117	14,5	0,350	0,379	0,235	0,442
TK** 025 03	25	20	59	145	19	144	16	0,600	0,650	0,400	0,759
TK** 032 03	32	25	66	160	22	158	18	0,850	0,923	0,565	1,080
TK** 040 03	40	32	75	188,5	26	183,5	20,5	1,350	1,462	0,895	1,703
TK** 050 03	50	40	87	219	31	219	23,5	1,750	1,900	1,160	2,222
TK** 063 03	63	50	101	266,5	38	266,5	27,5	2,950	3,210	1,945	3,771

	d	DN	E	B	H	r	s1	s2	t	EN ISO5211
TK** 016 03	16	10	80	33	87,5	20,5	7,2	9,7	4,5	F04 (♦11)
TK** 020 03	20	15	80	33	87,5	20,5	7,2	9,7	4,5	F04 (♦11)
TK** 025 03	25	20	100	39	98,5	22	8	12	4,5	F05 (♦14)
TK** 032 03	32	25	110	45	106	30	9	12,5	6	F05 (♦14)
TK** 040 03	40	32	131	51	135	36	10,5	13,5	6	F07 (♦14)
TK** 050 03	50	40	148	57	139	37	11,5	14,5	7	F07 (♦14)
TK** 063 03	63	50	179	69	159	45	15	20	7	F07 (♦14)

Code 03 = with EPDM O-rings (not for TKIF)  
Code 02 = with Viton® O-Rings

### With pneumatic actuator

Selection of actuator for 6 bar air supply



### Double acting actuator

	d	DN	H	N	O
TK** 016 03 + IA050D.F0411	16	10	139	137	78,5
TK** 020 03 + IA050D.F0411	20	15	139	137	78,5
TK** 025 03 + IA100D.F05-F0714	25	20	161,5	154	91,5
TK** 032 03 + IA100D.F05-F0714	32	25	166,5	154	91,5
TK** 040 03 + IA200D.F05-F0714	40	32	198,5	204	105
TK** 050 03 + IA200D.F05-F0714	50	40	202,5	204	105
TK** 063 03 + IA200D.F05-F0714	63	50	219,5	204	105

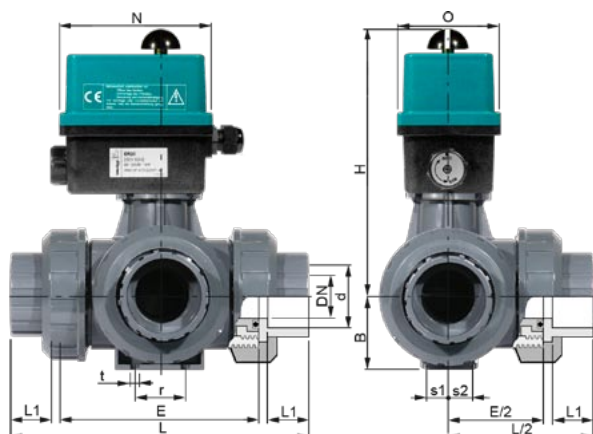
### Single acting actuator

	d	DN	H	N	O
TK** 016 03 + IA50S08.F0411	16	10	139	137	78,5
TK** 020 03 + IA50S08.F0411	20	15	139	137	78,5
TK** 025 03 + IA100S10.F05-F0714	25	20	161,5	154	91,5
TK** 032 03 + IA100S10.F05-F0714	32	25	166,5	154	91,5
TK** 040 03 + IA200S10.F05-F0714	40	32	198,5	204	105
TK** 050 03 + IA200S10.F05-F0714	50	40	202,5	204	105
TK** 063 03 + IA200S12.F05-F0714	63	50	219,5	204	105

Code 03 = with EPDM O-rings (not for TKIF)  
Code 02 = with Viton® O-Rings

### With electric actuator

230V50Hz, 1 phase, IP65



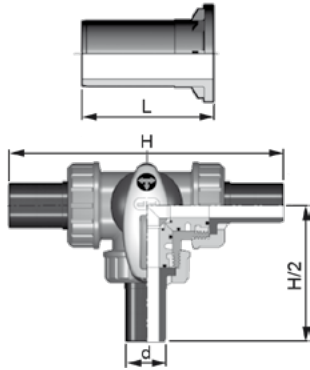
	d	DN	H	N	O
TK** 016 03 + ER10	16	10	197	136	90
TK** 020 03 + ER10	20	15	197	136	90
TK** 025 03 + ER10	25	20	203,5	136	90
TK** 032 03 + ER10	32	25	208,5	136	90
TK** 040 03 + ER20	40	32	223,5	136	90
TK** 050 03 + ER20	50	40	227,5	136	90
TK** 063 03 + ER35	63	50	244,5	136	90

Code 03 = with EPDM O-rings (not for TKIF)  
Code 02 = with Viton® O-Rings

Other tensions on request

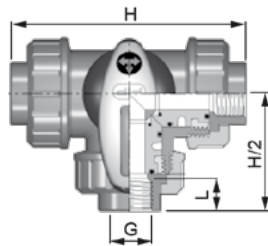
## Other end connectors

End connectors with long spigot for electrofusion or butt weld in PE100 (SDR11, PN16) or PP (SDR11, PN10).



PE100	PP	d	DN	L	H
CVDE 020	CVDM 020	20	15	55	190
CVDE 025	CVDM 025	25	20	70	240
CVDE 032	CVDM 032	32	25	74	258
CVDE 040	CVDM 040	40	32	78	287
CVDE 050	CVDM 050	50	40	84	316
CVDE 063	CVDM 063	63	50	91	361

## Threaded female ends in PVC



for TKIV (PVC)

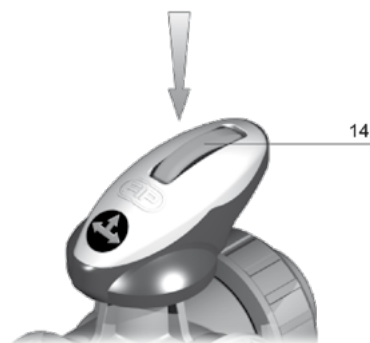
PVC	DN	G	L	H
POFV 038	10	3/8"	11,4	103
POFV 012	15	1/2"	15	110
POFV 034	20	3/4"	16,3	116
POFV 100	25	1"	19,1	134
POFV 114	32	1 1/4"	21,4	153
POFV 112	40	1 1/2"	21,4	156
POFV 200	50	2"	25,7	186

for TKIM (PP)

PP	DN	G	L	H
-				
POFM 012	15	1/2"	15	102
POFM 034	20	3/4"	16,3	113
POFM 100	25	1"	19,1	125
POFM 114	32	1 1/4"	21,4	142
POFM 112	40	1 1/2"	21,4	162
POFM 200	50	2"	25,7	198

## Handle

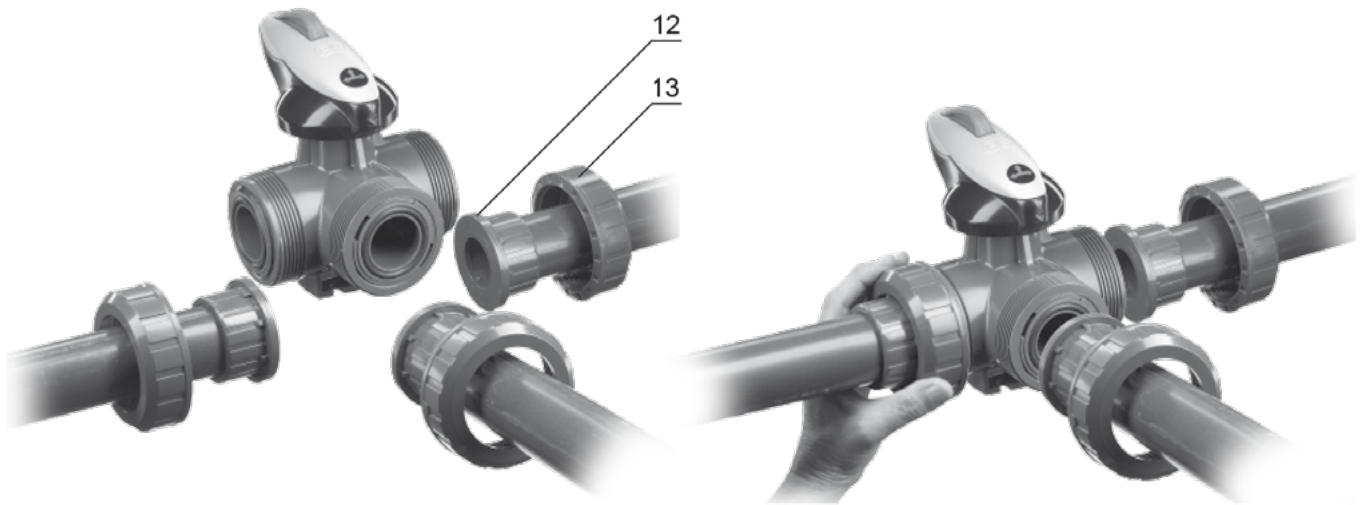
To unblock the handle push the red blocking button (14), turn the handle in the working position (every 90°) and release the button to block the handle.



## Installation

### Connection to the system:

- 1) Unscrew the union nuts (13) and slide them onto the pipe.
- 2) Solvent weld or screw the valve end connectors (12) onto the pipe ends.
- 3) Position the valve between the end connectors and tighten the union nuts.



**InterApp AG**  
 Grundstrasse 24  
 CH-6343 Rotkreuz  
 Phone +41 (0) 41 7982233  
 Fax +41 (0) 41 7982234  
 info@ch.interapp.net

**InterApp Germany**  
 AVK Mittelmann Armaturen  
 Schillerstrasse 50  
 D-42489 Wülfrath  
 Phone +49 (0) 2058 901 01  
 Fax +49 (0) 2058 901 110  
 info@avkmittelmann.com

**InterApp Austria**  
 Kolpingstrasse 19  
 A-1230 Wien  
 Phone +43 (0) 1 6162371-0  
 Fax +43 (0) 1 6162371-99  
 info@at.interapp.net

**InterApp Italy**  
 Via Gramsci 29  
 I-20016 Pero (MI)  
 Phone +39 02 339371  
 Fax +39 02 33937200  
 info@it.interapp.net

**InterApp Válvulas**  
 Calderón de la Barca 12  
 E-28860 Paracuellos de Jarama  
 Phone +34 (0) 91 6584360  
 Fax +34 (0) 91 6581430  
 info@es.interapp.net

**AVK Válvulas**  
 Poligono Industrial  
 Francoli, parcela 27  
 E-46006 Tarragona  
 Phone +34 977 543 008  
 Fax +34 977 541 622  
 avk@avkvalvulas.com

**InterApp Singapore**  
 11, Changi North Street 1, #03-11  
 Singapore 498823  
 Phone +65 62141048  
 Fax +65 62140481  
 info@sg.interapp.net

The technical data are noncommittal and do not assure you of any properties. Please refer to our general sales conditions. Modifications without notice.

© 2009 InterApp AG, all rights reserved