

## Description

Compact ball valve with full bore. Top flange for actuators according ISO 5211.

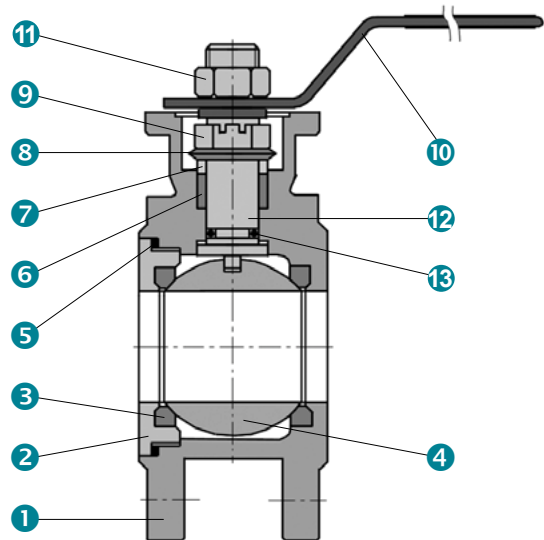
## Product features

- Connection DN15-50 Flanges PN16/25/40  
DN65-150 Flanges PN16
  - Max. working pressure 40bar
  - Temperature range -10°C ÷ 160°C, Versions for lower temperatures on request
- The ball valves BVC21 meet the safety requirements of the pressure Equipments Directive 97/23/EC (PED) appendix 1 for fluids of the groups 1 and 2.

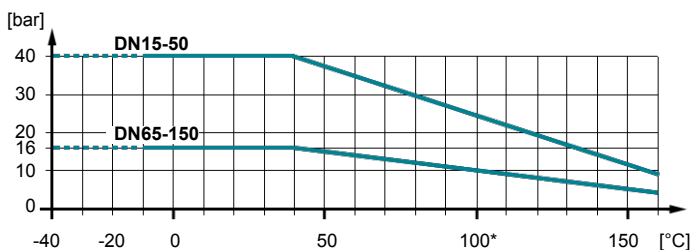


## Construction

1	Body	Stainless steel CF8M (1.4408) or Cast steel GS-C25 (ASTM A216 WCB)
2	End cap	Stainless steel CF8M (1.4408)
3	Seat ring	PTFE + 15% GF
4	Ball	Stainless steel AISI 316 (1.4401)
5	Gasket	PTFE
6	Gland packing (self adjusting)	PTFE
7	Gland	Stainless steel AISI 304 (1.4301)
8	Disc washer	Spring steel
9	Gland nut + tab washer	Stainless steel AISI 304 (1.4301)
10	Handlever	Stainless steel AISI 304 (1.4301)
11	Handle nut	Stainless steel AISI 304 (1.4301)
12	Blow out proof stem	Stainless steel AISI 316 (1.4401)
13	O-ring	Viton



## Pressure / temperature diagram



For temperatures >100°C a mounting bracket with adapter is mounted between ball valve and actuator.

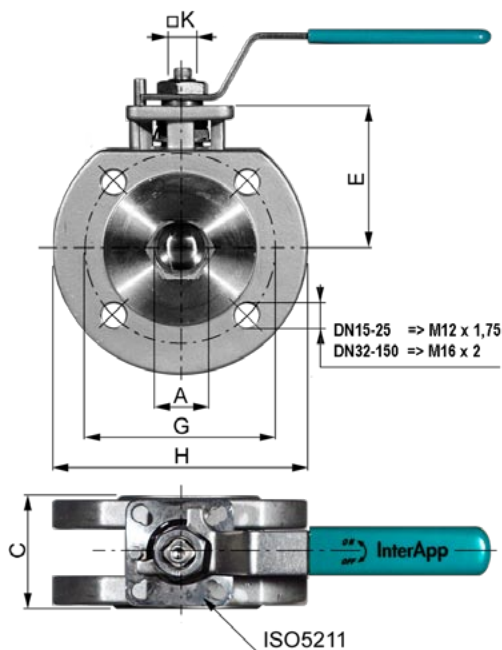
# BVC21 - Compact ball valve DN15-150

## Type code

<b>BVC</b>	<b>21</b>	<b>F</b>	<b>F</b>	<b>. 025</b>	<b>. S</b>	<b>S</b>	<b>T</b>
<b>1</b>	<b>2</b>	<b>3</b>	<b>4</b>	<b>5</b>	<b>6</b>	<b>7</b>	<b>8</b>

<b>1 Type</b>	<b>BVC</b>	Ball valve with top flange	
<b>2 Construction</b>	<b>21</b>	2/2 ways, one-piece body	
<b>3 Bore</b>	<b>F</b>	Full bore	
<b>4 Connection</b>	<b>F</b>	Flanged ends	
<b>5 Size</b>	<b>015-150</b>	DN15-150	
<b>6 Materials body</b>	<b>S</b>	stainless steel	CF8M (1.4408)
	<b>C</b>	cast steel	GS-C25 (ASTM A216 WCB)
<b>7 Material ball</b>	<b>S</b>	stainless steel	AISI 316 (1.4401)
<b>8 Materials seat ring</b>	<b>T</b>	Seat ring	PTFE + 15% GF

## Dimensions



	DN	A	C	G	H	E	K	ISO5211	kv[m³/h]	[kg]
<b>BVC21FF.015.SST</b>	15	15	40	65	95	60,0	9	F03+04	35	1,6
<b>BVC21FF.020.SST</b>	20	20	44	75	105	64,3	9	F03+04	46	2,1
<b>BVC21FF.025.SST</b>	25	25	53	85	115	64,6	11	F04+05	72	2,6
<b>BVC21FF.032.SST</b>	32	32	58,4	100	135	69,0	11	F04+05	105	3,6
<b>BVC21FF.040.SST</b>	40	38	62	110	145	76,3	14	F05+07	170	4,3
<b>BVC21FF.050.SST</b>	50	50	78	125	155	85,7	14	F05+07	275	6,0
<b>BVC21FF.065.SST</b>	65	65	100	145	185	105	17	F07	507	10,0
<b>BVC21FF.080.SST</b>	80	76	120	160	200	123	17	F07	905	14,1
<b>BVC21FF.100.SST</b>	100	96	152	180	220	132	17	F07+10	1414	20,6
<b>BVC21FF.125.SST</b>	125	114	180	210	250	157,5	27	F10+12	2362	25
<b>BVC21FF.150.SST</b>	150	135	215	240	285	172,5	27	F10+12	3674	35

InterApp AG  
Grundstrasse 24  
CH-6343 Rotkreuz  
Phone +41 (0) 41 7982233  
Fax +41 (0) 41 7982234  
info@ch.interapp.net

InterApp Germany  
AVK Mittelmann Armaturen  
Schillerstrasse 50  
D-42489 Wülfrath  
Phone +49 (0) 2058 901 01  
Fax +49 (0) 2058 901 110  
info@avkmittelmann.com

InterApp Austria  
Kolpingstrasse 19  
A-1230 Wien  
Phone +43 (0) 1 6162371-0  
Fax +43 (0) 1 6162371-99  
info@at.interapp.net

InterApp Italy  
Via Gramsci 29  
I-20016 Pero (MI)  
Phone +39 02 339371  
Fax +39 02 33937200  
info@it.interapp.net

InterApp Válvulas  
Calderón de la Barca 12  
E-28860 Paracuellos de Jarama  
Phone +34 (0) 91 6584360  
Fax +34 (0) 91 6581430  
info@es.interapp.net

AVK Válvulas  
Poligono Industrial  
Francoli, parcela 27  
E-46006 Tarragona  
Phone +34 977 543 008  
Fax +34 977 541 622  
avk@avkvalvulas.com

InterApp Singapore  
11, Changi North Street 1, #03-11  
Singapore 498823  
Phone +65 62141048  
Fax +65 62140481  
info@sg.interapp.net

The technical data are noncommittal and do not assure you of any properties. Please refer to our general sales conditions. Modifications without notice.

© 2009 InterApp AG, all rights reserved